

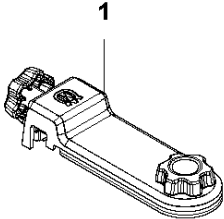


SPARE PARTS LIST

TILE SAWS

TS60

G TS60
TILE SAW ACCESSORIES AND TOOLS (STANDARD)

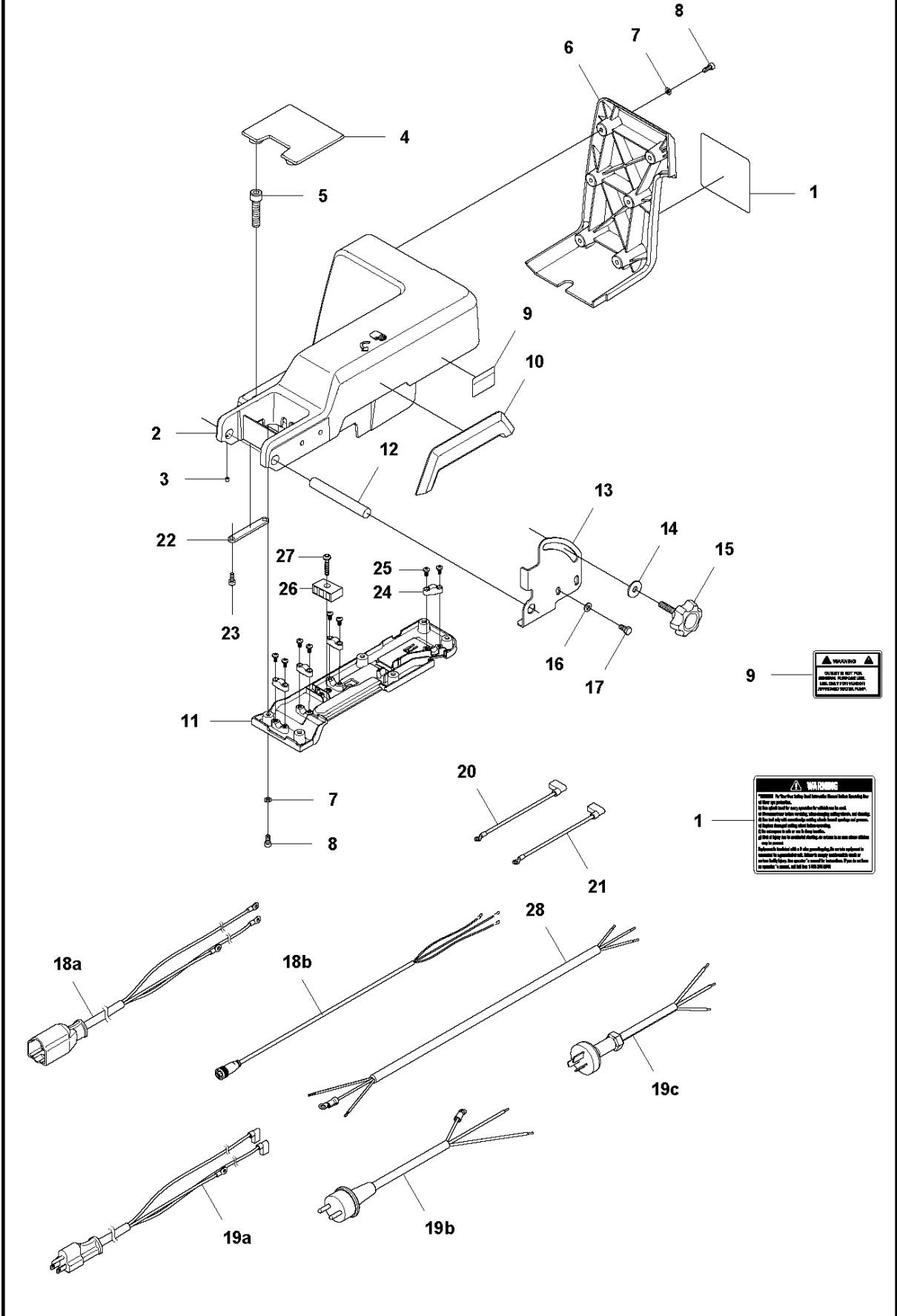


ACCESSORIES

TS60

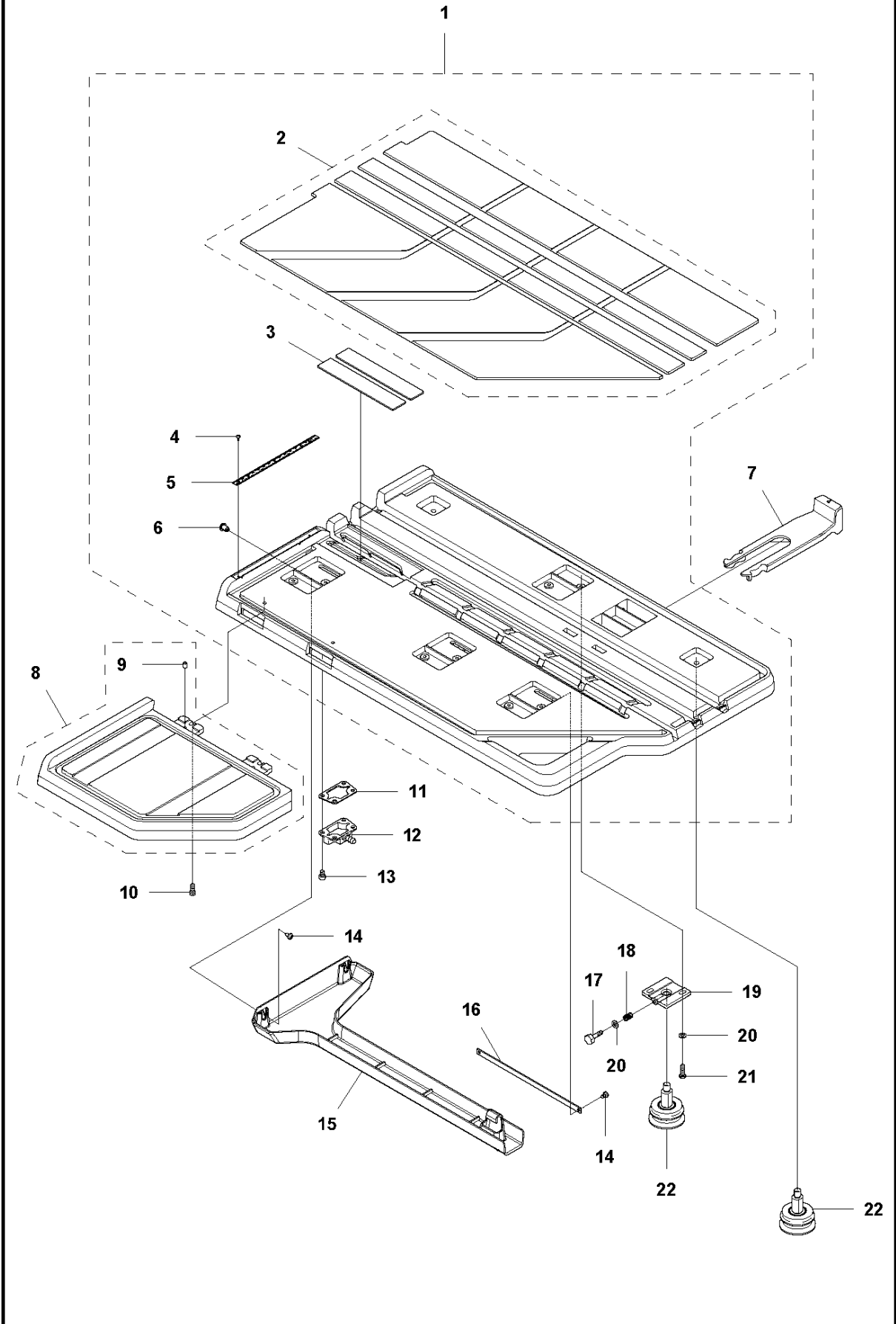
Ref	Part No	Description	Remark	QTY KIT
1	522 46 95-01	GUIDE		1
2	510 22 54-37	WRENCH		1

A2 TS60 CUTTING HEAD ASSY - SUPPORT ARM ASSY



Ref	Part No	Description	Remark	QTY KIT
1	578 98 10-01	DECAL	US	1
1	581 57 76-01	DECAL		1
2	510 22 54-22	ARM		1
3	728 82 85-01	SCREW IHSETM		1
4	510 22 54-72	SAW		1
5	725 55 00-21	SCREW IHSCM		4
6	510 22 54-25	ARM		1
7	734 11 46-01	WASHER		12
8	725 53 27-01	SCREW IHSCM		12
9	579 06 61-01	DECAL		1
9	579 06 61-02	DECAL	Only for Canada	1
10	576 13 97-01	HANDLE		1
11	510 22 54-26	ARM		1
12	510 22 54-34	PEN		1
13	510 22 54-30	PLATE		1
14	734 11 65-41	WASHER		1
15	574 85 11-02	KNOB		1
16	734 11 52-01	WASHER		2
17	725 23 66-71	SCREW EHHM		2
18a	525 81 45-01	CABLE	120V	1
18b	580 91 81-01	CABLE	230V	1
19a	510 18 13-04	CABLE	US	1
19b	580 91 77-01	CABLE	EU	1
19c	580 91 77-04	CABLE	AUS	1
20	576 43 41-01	CABLE ASSY	BLUE	1
21	576 43 41-02	CABLE ASSY	BROWN	1
22	577 85 80-01	CABLE CLAMP		1
23	725 52 89-01	SCREW IHSCM		2
24	544 12 32-01	CABLE CLAMP	230V	4
25	729 57 76-01	SCREW CCRPANT	230V	8
26	510 43 34-01	TERMINAL BLOCK	230V	1
27	525 47 63-01	SCREW ITPANT	230V	1
28	584 65 89-01	CABLE	230V	1

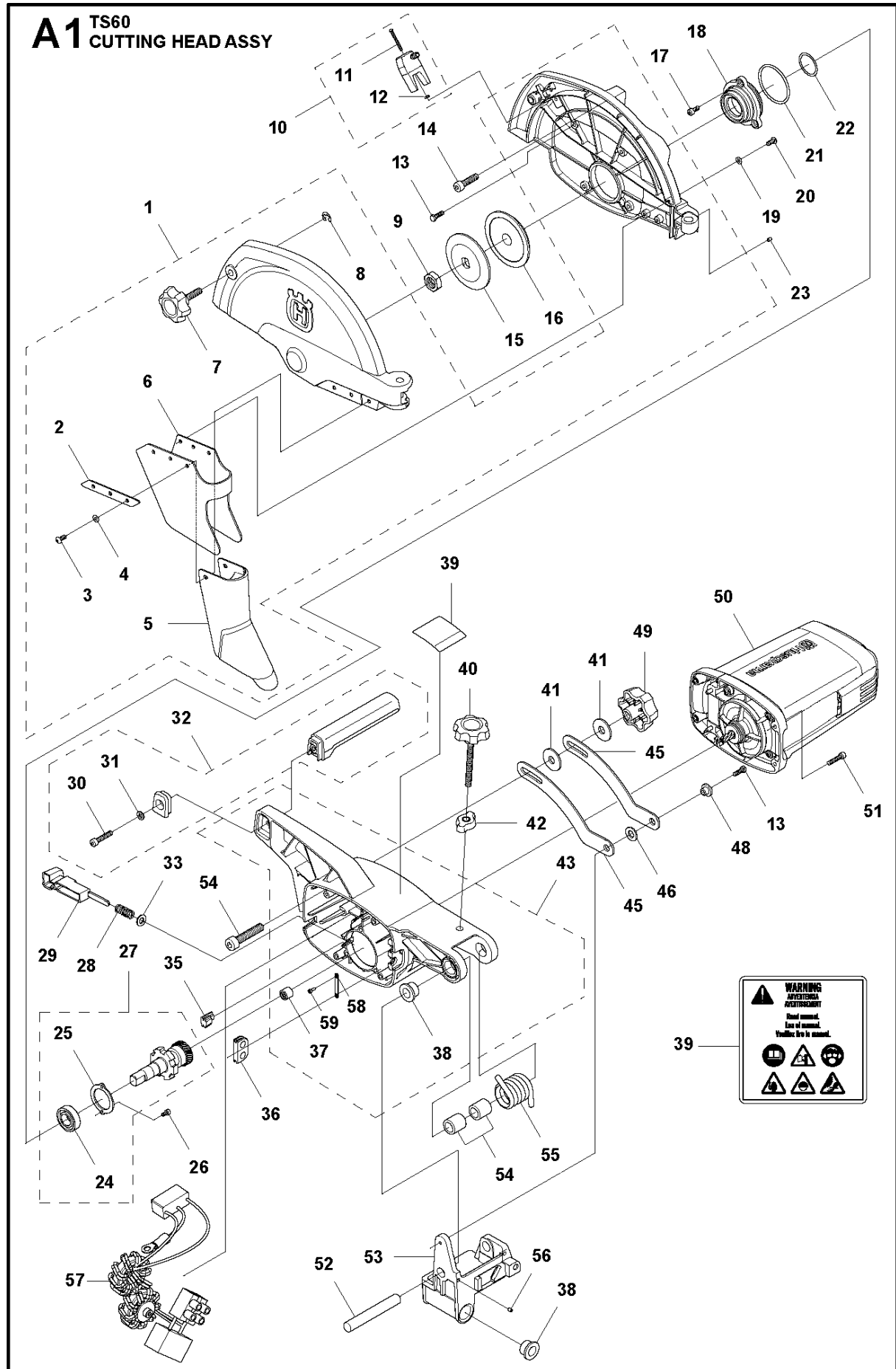
E TS60
CONVEYOR CART ASSY AND EXTENSION



CONVEYOR CART

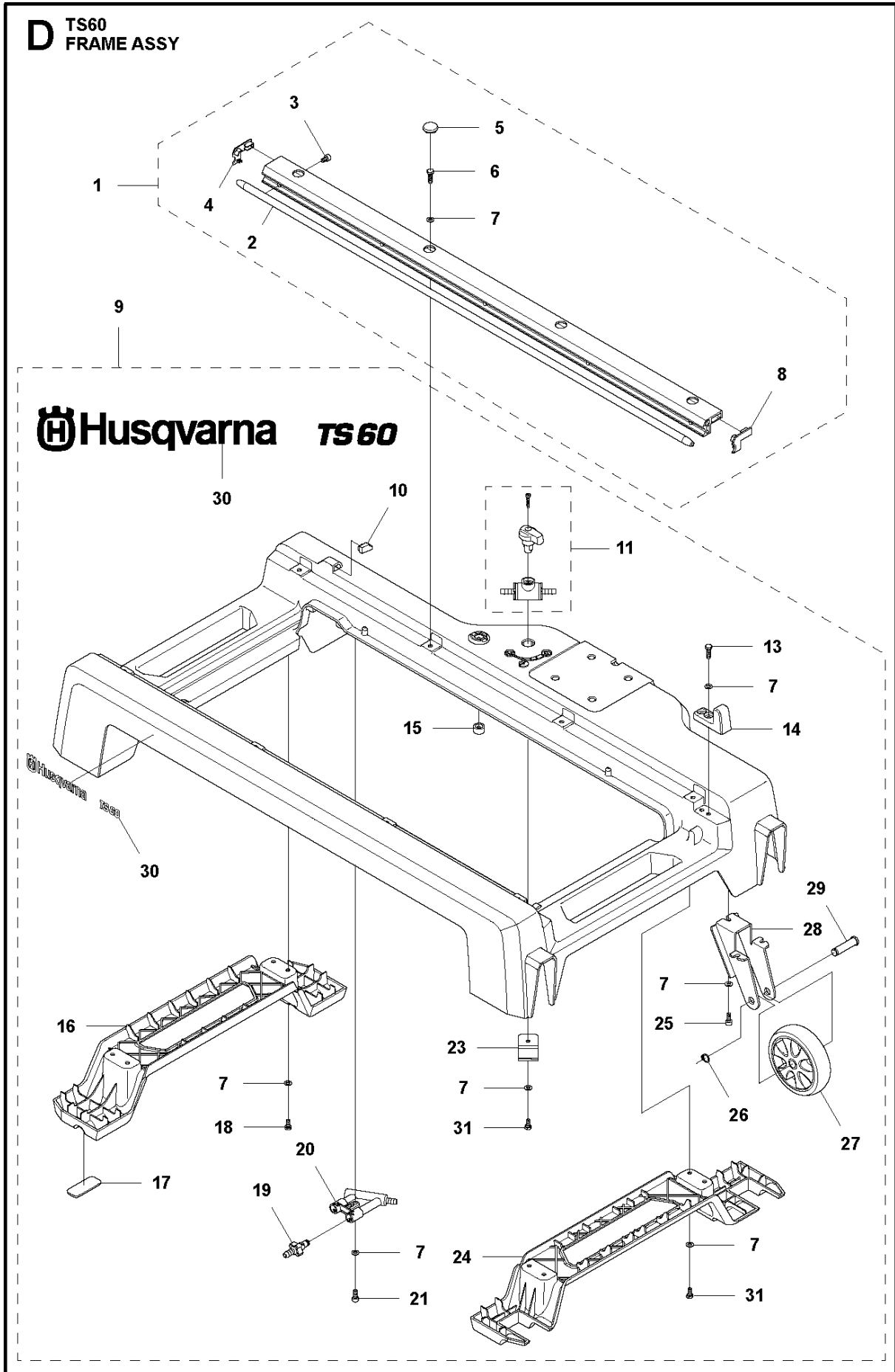
TS60

Ref	Part No	Description	Remark	QTY KIT
1	510 22 54-01	CART	KIT	1
2	578 90 60-01	PAD KIT	1	1
3	576 14 55-02	COVER	1	2
4	724 11 91-51	SCREW CRPANM	1	2
5	576 13 98-01	SCALE	1	1
6	579 07 17-01	KNOB	1	2
7	510 22 54-47	HANDLE		1
8	522 46 84-04	CART		1
9	728 53 23-01	SCREW IHSETM		2
10	725 23 27-71	SCREW EHHM		2
11	521 92 21-01	GASKET		1
12	521 91 59-01	MANIFOLD		1
13	725 53 23-01	SCREW IHSCM		4
14	729 53 40-01	SCREW CCRPANT		4
15	579 07 15-01	TRAY		1
16	579 07 16-01	BAR		1
17	725 23 31-71	SCREW EHHM		1
18	577 93 51-01	SPRING		2
19	510 22 54-67	BRACKET		2
20	734 11 46-01	WASHER		12
21	725 23 29-71	SCREW EHHM		8
22	510 22 54-12	ROLLER		6



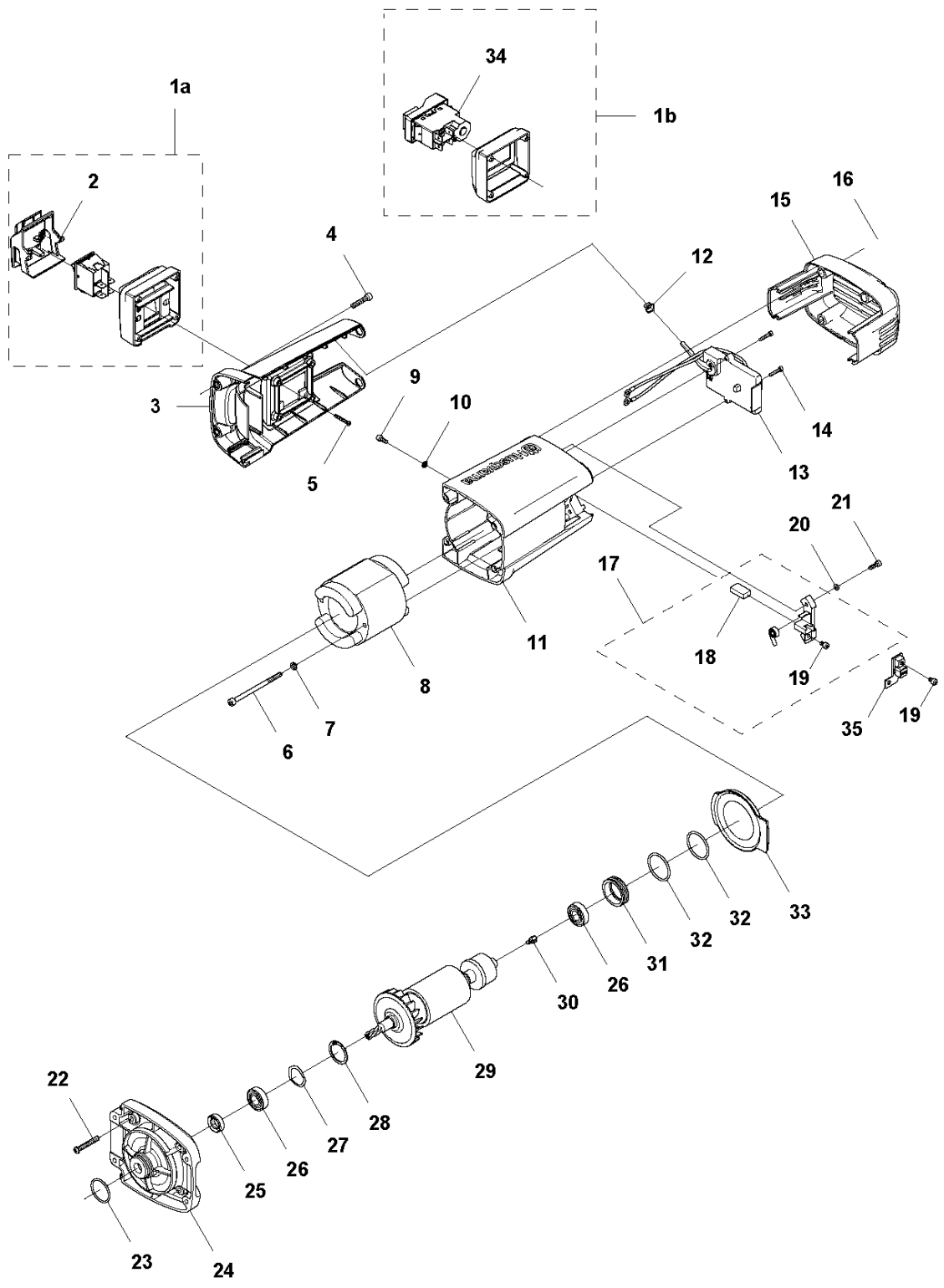
Ref	Part No	Description	Remark	QTY KIT	
1	522 46 84-10	BLADE GUARD	KIT	1	
2	510 22 54-51	PLATE		1	1
3	522 95 70-03	SCREW IHANM		6	1
4	734 11 46-09	WASHER		6	1
5	510 22 54-61	SPLASH GUARD	REAR	1	1
6	510 22 54-62	SPLASH GUARD	SIDE	1	1
7	574 85 11-02	KNOB		1	1
8	735 31 12-20	E-CLIP		1	1
9	576 68 23-01	NUT		1	
10	576 19 91-03	NOZZLE	KIT	1	
11	724 12 34-01	CHAIN		1	10
12	731 23 10-01	HEXAGON NUT		1	10
13	725 23 29-71	SCREW EHHM		4	
14	725 54 55-21	SCREW IHSCM		1	
15	575 63 68-01	FLANGE		1	
16	575 63 64-01	FLANGE	US, arbor size 5/8 inch / 16 mm	1	
16	584 22 55-01	FLANGE	Non US, arbor size 25.4 mm	1	
17	725 53 27-01	SCREW IHSCM		3	
18	523 03 09-01	BEARING HOUSING		1	
19	734 11 46-09	WASHER		6	
20	522 95 70-03	SCREW IHANM		6	
21	525 53 45-01	O-RING		1	
22	574 46 05-01	GASKET		1	
23	728 82 85-01	SCREW IHSETM		1	
24	525 60 54-01	BALL BEARING		1	26
25	523 02 29-01	LOCKING PLATE		1	26
26	725 52 87-01	SCREW IHSCM		2	
27	581 11 34-01	SHAFT	OUTPUT ASSY	1	
28	523 02 43-01	SPRING		1	
29	523 02 26-01	BUTTON		1	
30	725 53 74-01	SCREW IHSCM		1	32
31	734 11 52-01	WASHER		1	32
32	578 86 42-01	HANDLE KIT	KIT	1	
33	734 11 65-41	WASHER		1	
35	581 11 41-01	SEAL		1	
36	525 60 57-01	SEAL	120V	1	
36	585 01 87-01	SEAL	230V	1	
37	523 05 40-01	NEEDLE BEARING		1	43
38	522 94 62-01	BUSHING		2	43
39	581 01 43-01	DECAL		1	
39	581 01 43-02	DECAL	Only for Canada	1	
40	574 87 63-02	KNOB		1	
41	584 14 69-01	WASHER		2	
42	522 77 44-03	KNOB		1	
43	522 46 84-17	ARM		1	
45	510 22 54-63	BRACKET		2	
46	734 11 72-01	WASHER		1	
48	574 62 67-01	BUSHING		1	
49	574 85 09-02	KNOB		1	
50	525 80 52-02	MOTOR ASSY	230V	1	
50	525 80 52-01	MOTOR ASSY	120V	1	
51	575 33 53-02	SCREW IHSCM		1	
52	510 22 54-35	BRACKET		1	
53	510 22 54-33	BRACKET		1	
54	521 92 94-01	SPACER		2	
55	522 94 63-01	SPRING		1	
56	728 82 85-01	SCREW IHSETM		2	
57	580 90 05-01	FILTER	KIT (NOT US)	1	
58	577 85 80-01	CABLE CLAMP		1	
59	725 52 89-01	SCREW IHSCM		2	

D TS60
FRAME ASSY



Ref	Part No	Description	Remark	QTY KIT
1	578 90 58-01	RAIL KIT	KIT	2
2	510 22 54-38	GUIDE RAIL		2
3	725 53 23-01	SCREW IHSCM		10
4	510 22 54-42	HUB CAP		2
5	577 73 58-01	HUB CAP		8
6	725 23 29-71	SCREW EHHM		8
7	734 11 46-01	WASHER		28
8	510 22 54-43	HUB CAP		2
9	578 90 59-01	FRAME	KIT	1
10	510 22 54-50	STOP		1
11	522 46 84-11	VALVE	KIT	1
13	725 23 29-71	SCREW EHHM		2
14	510 22 54-46	STOP		2
15	541 40 50-36	LEVEL BUBBLE		1
16	510 22 54-18	FRAME		4
17	510 22 54-36	FRAME		9
18	725 23 25-71	SCREW EHHM		2
19	578 86 48-01	VALVE KIT		1
20	522 73 07-01	VALVE		9
21	725 23 27-71	SCREW EHHM		1
23	510 22 54-64	BRACKET		1
24	510 22 54-19	FRAME		6
25	725 53 27-01	SCREW IHSCM		2
26	735 31 12-01	CIRCLIP		2
27	510 22 54-27	WHEEL		2
28	510 22 54-29	BRACKET		2
29	510 22 54-28	PEN		1
30	576 87 91-01	DECAL		1
31	725 23 25-71	SCREW EHHM		2

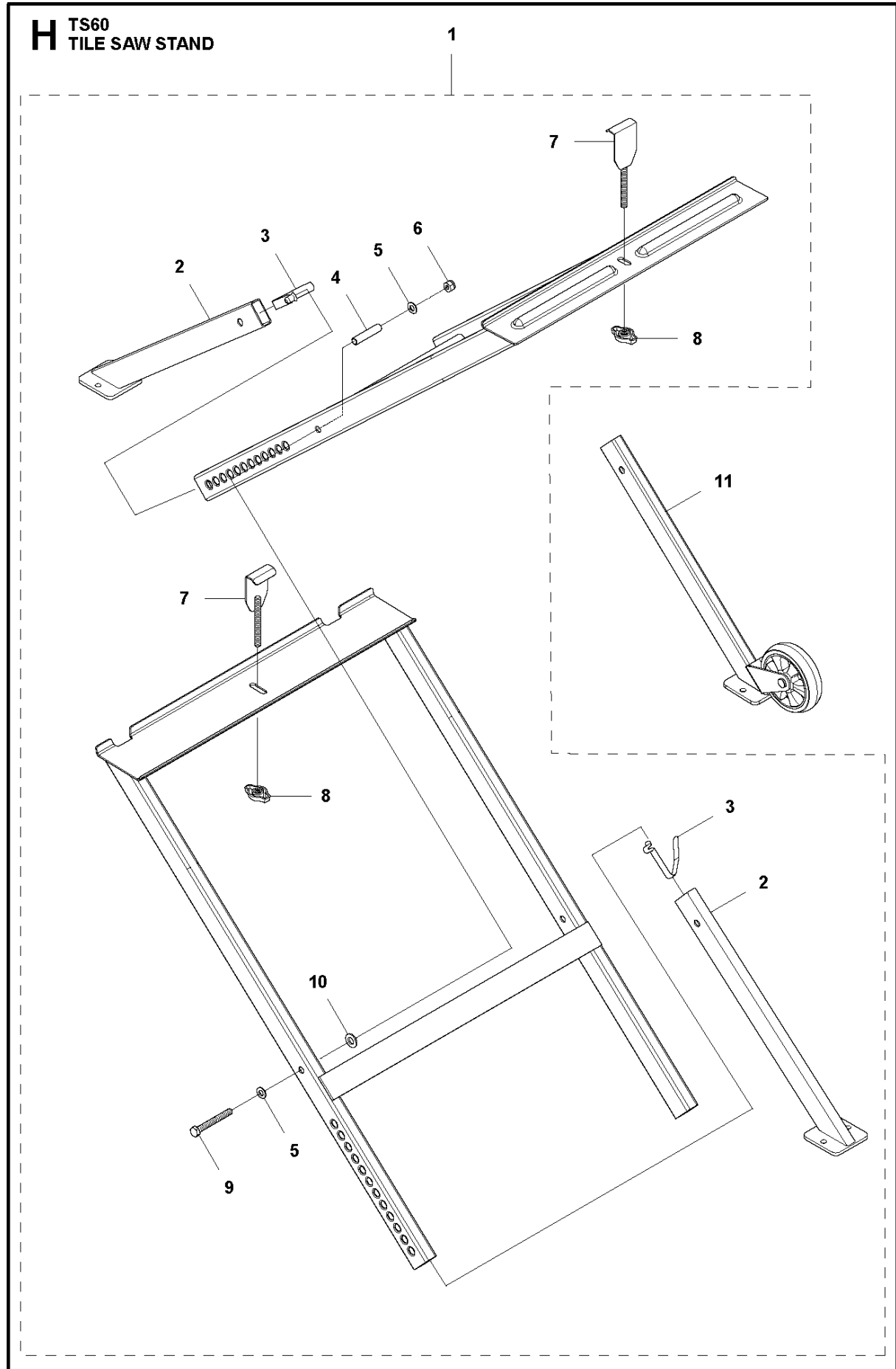
B TS60
MOTOR



MOTOR

TS60

Ref	Part No	Description	Remark	QTY	KIT
1a	578 86 45-01	SWITCH KIT	120V	1	
1b	578 86 45-03	SWITCH KIT	230V	1	
2	523 02 42-01	LEVER		1	
3	523 05 22-01	FRONT COVER		1	
4	575 33 53-02	SCREW IHSCM		6	
5	525 47 63-03	SCREW ITXPANT		4	
6	725 53 47-55	SCREW IHSCM		2	
7	503 23 04-02	WASHER		2	
8	581 02 98-01	STATOR	120V	1	
8	523 02 37-02	STATOR	230V	1	
9	725 52 89-01	SCREW IHSCM		2	
10	735 21 36-01	LOCKWASHER		2	
11	576 42 18-01	MOTOR HOUSING		1	
11	576 42 18-02	MOTOR HOUSING	Only for Canada	1	
12	525 63 79-01	PROTECTIVE CAP		1	
13	581 14 21-01	HOLDER	120V	1	
13	525 83 53-02	HOLDER	230V	1	
14	525 47 63-04	SCREW ITXPANT		2	
15	523 05 21-01	INLET COVER		1	
16	575 33 53-01	SCREW IHSCM		4	
17	582 87 39-01	BRUSH HOLDER	Contains two brushes and two springs	1	
18	581 08 69-01	BRUSH KIT	Contains two brushes and two springs	1	17
19	725 52 85-01	SCREW IHSCM	US: 2pcs	4	
20	735 11 36-50	SPRING WASHER		4	
21	725 52 91-01	SCREW IHSCM		4	
22	525 47 63-02	SCREW ITXPANT		4	
23	523 05 42-01	O-RING		1	
24	523 03 11-01	COVER		1	
25	501 00 83-01	SEALING		1	
26	575 98 49-01	BALL BEARING		2	
27	501 00 84-01	SPRING WASHER		1	
28	735 31 28-10	CIRCLIP		1	
29	581 02 96-01	ROTOR	120V	1	
29	523 02 36-02	ROTOR	230V	1	
30	544 44 65-01	HOLDER ASSY		1	
31	544 12 30-01	BEARING SUPPORT		1	
32	503 26 30-03	O-RING		2	
33	523 02 33-01	AIR CONDUCTOR		1	
34	580 85 87-01	SWITCH	230V	1	1b
35	580 90 07-01	FILTER	NOT US	2	

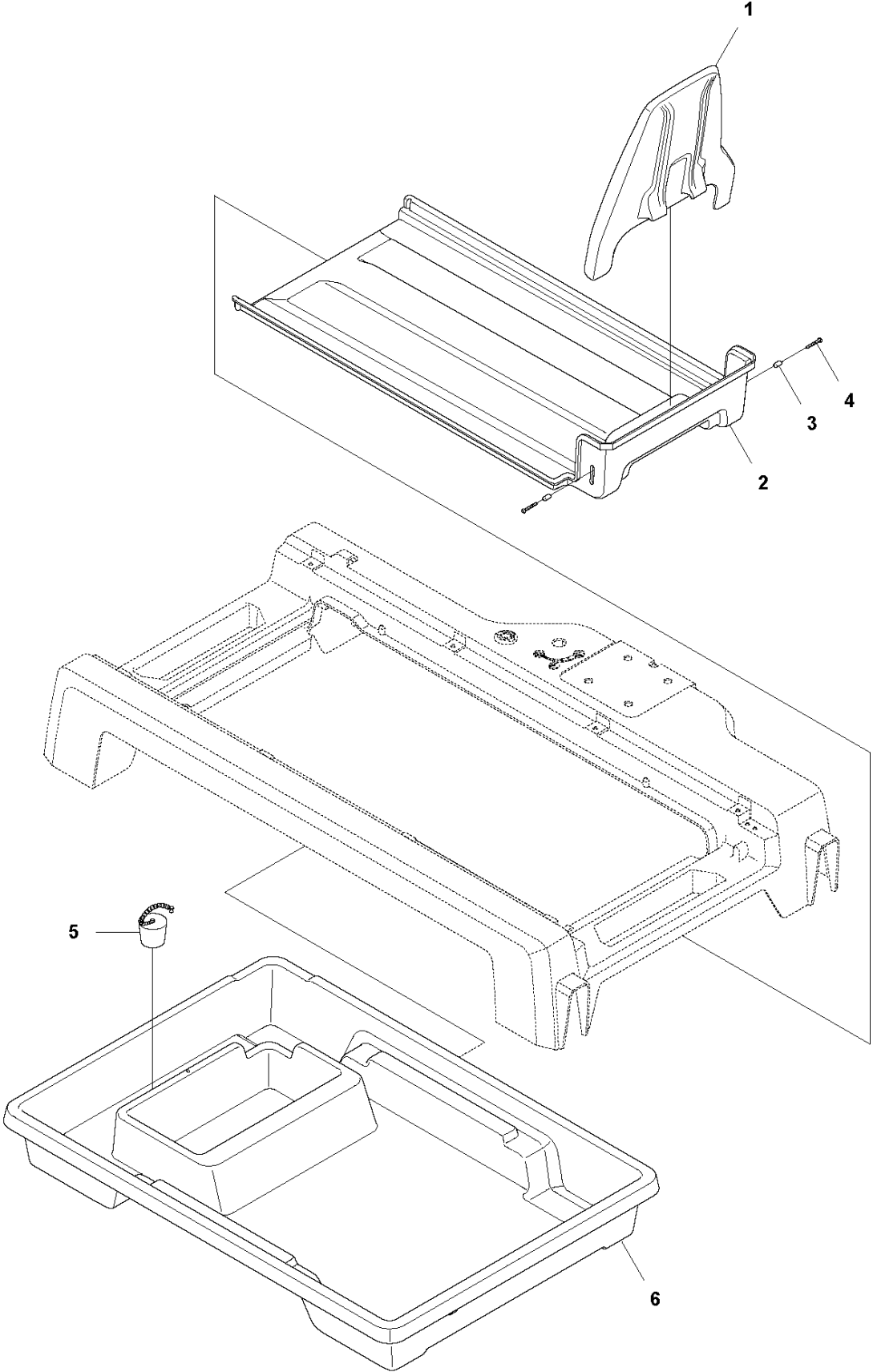


STANDS

TS60

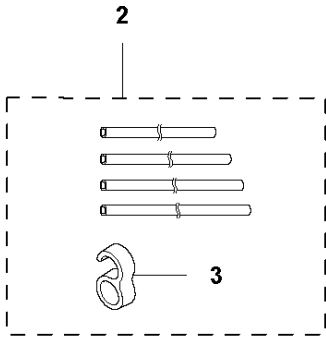
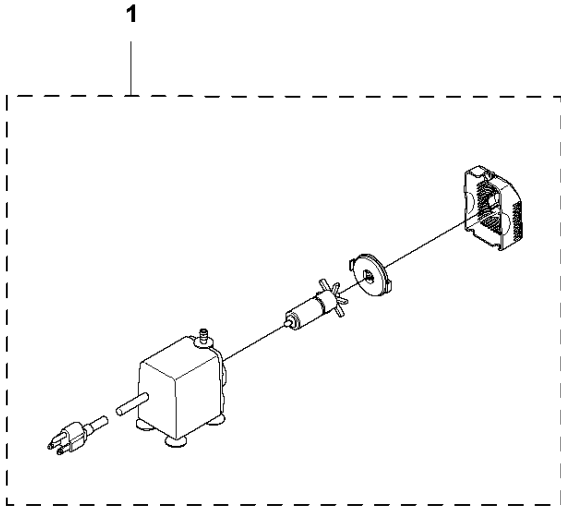
Ref	Part No	Description	Remark	QTY KIT	
1	578 90 61-01	STAND KIT	Complete	1	
2	522 45 73-19	STAND		4	1
3	577 81 83-01	BUTTON		4	1
4	522 45 73-13	STAND		2	1
5	734 11 63-01	WASHER		4	1
6	732 25 18-01	HEXAGON LOCKING NUT		2	1
7	577 81 69-01	CLAMP		2	1
8	522 77 44-03	KNOB		2	1
9	725 24 64-51	SCREW EHHM		2	1
10	734 11 72-01	WASHER		2	1
11	583 89 02-01	WHEEL KIT	NOT STANDARD	2	

C TS60
WATER PAN ASSY



Ref	Part No	Description	Remark	QTY KIT
1	577 81 68-01	SPLASH GUARD		1
2	510 22 54-15	SAW		1
3	577 84 71-01	SLEEVE		2
4	525 47 63-03	SCREW ITPANT		2
5	583 95 17-01	PLUG KIT		1
6	510 22 54-14	TRAY		1

F TS60
WATER PUMP AND TUBE ASSY



WATER PUMP

TS60

Ref	Part No	Description	Remark	QTY	KIT
1	525 82 56-03	PUMP	120V	1	
1	577 52 01-05	PUMP	230V	1	
2	585 42 78-01	TUBE		1	
3	585 16 93-01	HOSE CLIP		1	2